

Treatment Procedure

- Install your Hydrofloss Kitty Waterjet unit in the bathroom using the wall bracket provided. Connect to a 240V shaver socket.
- Attend your dentist for your first deep scaling treatment.
- At home, fill the Hydrofloss Kitty Waterjet water container with warm water and an anti-plaque additive; for example Thymol rinse tablets or Corsodyl.
- Always precede oral irrigation with your Hydrofloss Kitty Waterjet with 2 minutes of thorough brushing.
- Using the standard jet tip, adjust the jet pressure to a level as high as you can while remaining comfortable and apply the jet to the gum/teeth boundaries of the affected areas.
- In the initial stages of treatment you can expect a bad taste and possible some discharge. This will diminish rapidly with regular use on high pressure settings.
- Attend your dentist for an assessment. If the gum disease is under control, continue homecare treatment with the standard jet tip.
- If the gum disease is deeper, your dentist may advise the use of a sulcus tip on an intermediary pressure setting, twice daily for 3 weeks.
- Sulcus treatment will consist of 2 minutes brushing, 2 minutes Hydrofloss Kitty Waterjet use with the standard jet tip and 2 minutes with the sulcus tip.
- If deeper infection (e.g. 5mm pockets) is discovered at your next examination, your dentist may advise the use of the pocket tip; this treatment will consist of 2 minutes each of brushing, standard jet tip, sulcus tip and then pocket tip use.

Maintenance & Safety Inspections

To ensure optimum performance the Hydrofloss Kitty Waterjet should be serviced every 12 months. Service or repairs conducted by unauthorised agencies/organisations invalidate any or implied warranties from Mirage Dental Products.

Users of the Hydrofloss Kitty Waterjet should carry out regular inspections to ensure that the handle and hose, power cable, reservoir and main body of the machine are free from damage prior to use. If any damage is evident the Hydrofloss Kitty Waterjet should NOT be used until replacement parts have been fitted. Only Hydrofloss Kitty Waterjet branded items should be used with Hydrofloss Kitty Waterjet.

The Hydrofloss Kitty Waterjet Oral Irrigator is not user repairable and should be returned to your Kitty Hydrofloss supplier or Mirage Service Department (UK Customers Only) for service and/or repair:

Mirage Service Department

53 Purbeck Drive, Lostock, Bolton. BL6 4JF
Telephone: **0845 130 5445**
Local Rate Applies (UK Only)




Additional user manuals, technical support and advice are available from Mirage Dental Products.

This product is fitted with a safety fuse to protect the product from overheating and will cut out if the following occurs:


- The product is left switched on at the mains when not in use.
- Continuous water flow of more than 10 mins - NB. this should not prohibit normal operation of the product, see "Using the Hydrofloss Kitty Waterjet".

Should the fuse cut out, please contact your Hydrofloss Kitty Waterjet supplier or Mirage (UK Only) at the above number.

Guide to safety symbols:

-  Class II Equipment
-  Attention - Consult Accompanying Documents
-  Type B.F. Equipment

IPX1 Protected Against Splashing Water

 Must be disposed of in accordance with European waste electrical and electronic equipment directive 2002/96/EC


Safety Information

The Hydrofloss Kitty Waterjet is CE marked for and complies with;
Medical Devices Directive



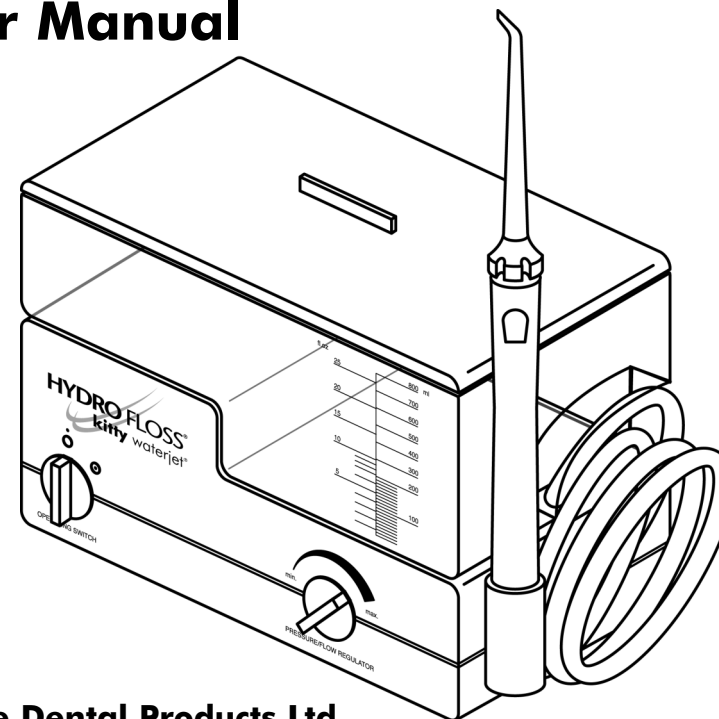
Electrical Safety EN60601-1
EMC Safety EN55014; EN61000;
EN60601-1-2

Disposal

 This symbol on the products and/or accompanying documents means that used electrical and electronic products should not be mixed with general waste. Please return to Mirage Health Group. Penalties may be applicable for incorrect disposal of this waste, in accordance with national legislation.

MIRAGE
MIRAGE DENTAL

Hydrofloss Kitty Waterjet User Manual



Mirage Dental Products Ltd.

BioPark Hertfordshire, Broadwater Road,
Welwyn Garden City, Hertfordshire.
AL7 3AX UK

Tel: 0845 130 5440 Fax: 0845 130 6440

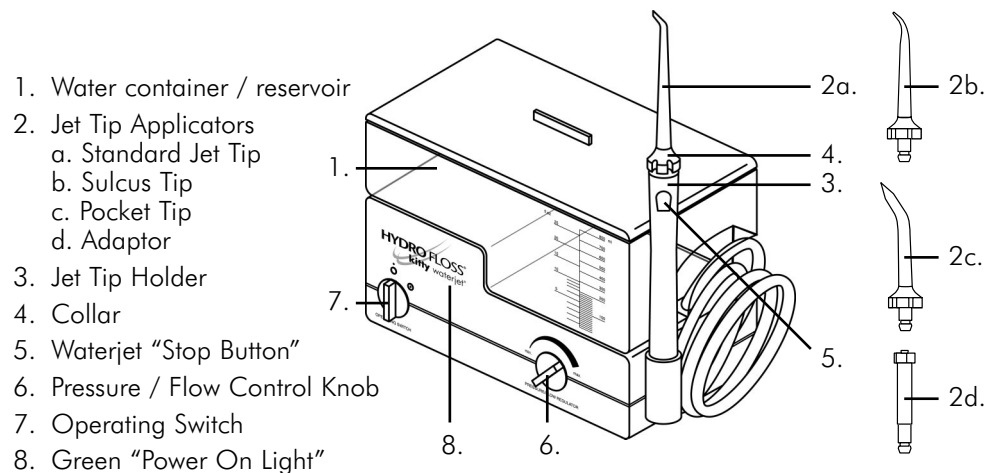
www.miragedental.co.uk

email: uksales@miragehealthgroup.com
Internationalsales@miragehealthgroup.com

CE
0499

Copyright © Mirage Dental Products Ltd.

September 2006



1. Water container / reservoir
2. Jet Tip Applicators
 - a. Standard Jet Tip
 - b. Sulcus Tip
 - c. Pocket Tip
 - d. Adaptor
3. Jet Tip Holder
4. Collar
5. Waterjet "Stop Button"
6. Pressure / Flow Control Knob
7. Operating Switch
8. Green "Power On Light"

It is important that you read this user manual before using the Hydrofloss Kitty Waterjet

The Hydrofloss Kitty Waterjet is a medical device intended for the removal of plaque and debris from the human mouth by irrigation.

The Hydrofloss Kitty Waterjet consists of:

- a) **the power cord** - terminating in a two pin plug suitable for a shaver socket
- b) **User controls:**
 - i). An operating switch (7) - this switch powers the equipment On (⊕) and Off (⊖)
 - ii). A pressure/flow control knob(6), this determines the pressure and flow of the water at the jet tip
 - iii). A waterjet stop button (5) (see tip holder below)
- c) **the water container** - the clear plastic container and its detachable lid (1) is removable for filling and cleaning
- d) **the waterjet tip holder** - is attached to the main body of the device by a coiled tube. This tube is not detachable. The waterjet tip holder (3) accommodates interchangeable jet tip applicators such as the standard Jet Tip, the Sulcus Tip and the Pocket Tip (2).

Only jet tip applicators designed for the Hydrofloss Kitty Waterjet should be used. The manufacturer cannot accept responsibility for damage or injury, however

caused, if the Hydrofloss Kitty Waterjet is used for anything other than its intended purpose, or used with non approved jet tip applicators, components or accessories.

The tip holder incorporates a Waterjet stop button (5). This button will stop the flow of the water whilst it is fully depressed. The pressure/flow set by the pressure/flow control knob will be resumed upon release of the waterjet stop button.

Precautions

The Hydrofloss Kitty Waterjet should **NOT be used for ear syringing.**

The Hydrofloss Kitty Waterjet is **NOT intended for continuous use** and it should be **disconnected at the mains electrical supply when not in use.**

The Hydrofloss Kitty Waterjet should **only be connected to the electrical supply via a double insulated socket** designed specifically for use with an electric razor.

The Hydrofloss Kitty Waterjet is supplied with a bracket that allows wall mounting but should **NOT be positioned directly over a washbasin or bath.**

In the event of any change in performance of the Hydrofloss Kitty Waterjet, stop using immediately.

Technical Data

Voltage Rating:	220 to 240 V AC
Power Rating:	20 VA
Frequency:	50Hz
Static Pressure (with "stop button" closed)	
Maximum Setting	8.16 bar (816kpa)
Waterjet pulses - (at 50Hz):	1200
Maximum operating time:	10 mins
(with a recommended rest time of 2 hrs.)	
Storage temperature range:	-5°C ~ 65°C
Storage relative humidity:	Up to 80%

Clinical Criteria for Use

Intended use

Irrigating the mouth is carried out to:

- a) facilitate the removal of plaque and debris which are not hygroscopic, from the mouth.
- b) facilitate recovery and provide oral hygiene for gum disorders.

Limitations

Do not use the Hydrofloss Kitty Waterjet if:

- a) pain or swelling develops
- b) the gums develop abscesses.

Note: if the above or any other abnormal symptoms develop, seek the advice of a dental practitioner.

Training

It is advised that users receive training in the use of the Hydrofloss Kitty Waterjet from their dentist, dental hygienist or other suitably qualified person.

Setting up

Cleaning

The Hydrofloss Kitty Waterjet should be cleaned and sterilised prior to each use.

The main unit must **NOT be immersed in water.** Cleaning should be done by hand wiping with a damp cloth only.

The water container, its detachable lid and the jet tips should be removed from the device and completely immersed in a cold solution of a proprietary sterilising solution available from a chemist.

The solution remaining in the water should be passed through the device by locating the water container in its operating position and switching the operating switch (7) to the ON (⊕) position for approximately 10 seconds.

The water container should then be partially filled with clean potable (drinking) water and the operating switch turned to the On (⊕) position for approximately 10 seconds. The water container should then be removed and thoroughly rinsed in

clean potable (drinking) water.

Connecting to the electricity supply

The Hydrofloss Kitty Waterjet must only be used with a mains power supply that is the same as that indicated on the data panel on the base of the device.

The manufacturer cannot accept responsibility for damage or injury, however sustained, from connecting the device to a non-compatible power supply.

The mains plug supplied with the Hydrofloss Kitty Waterjet is for use with a double insulated shaver socket designed for use with an electric razor. Adapters should not be used when connecting the device to the power supply.

The green "Power Supply On" light indicates that the device is connected to the mains power supply only (it does NOT indicate that the operating switch is in the on (⊕) position).

Caution: The product is not permanently disconnected from the mains in the Off (⊖) position. Please remove the plug from the mains when not in use to prevent overheating.

Filling the water container

Although mains voltage is isolated from exposed wiring in the device, it is recommended that:

- The water container is removed from the device for filling and that the lid is always in place when the water container is in-situ on the device.
- The water container is not overfilled.
- The water used to fill or clean the water container is potable and does not exceed normal body temperature.

Fitting the Jet Tip Applicator

The Hydrofloss Kitty Waterjet is supplied with interchangeable jet tip applicators.

To remove a jet tip applicator (2); pull the jet tip applicator from the jet tip holder body.

To fit a jet tip applicator, reverse the above procedure.

Using the Hydrofloss Kitty Waterjet

1. Follow the clinical criteria for use of the Hydrofloss Kitty Waterjet for oral irrigation.
2. Set the Pressure/Flow control knob to its slowest setting (fully anticlockwise).
3. Switch the Operating Switch to On (⊕).
4. Turn the Pressure/Flow control knob slowly clockwise until the pressure/flow of the water is compatible with the treatment requirements and the patients comfort.
5. Follow the treatment procedure.